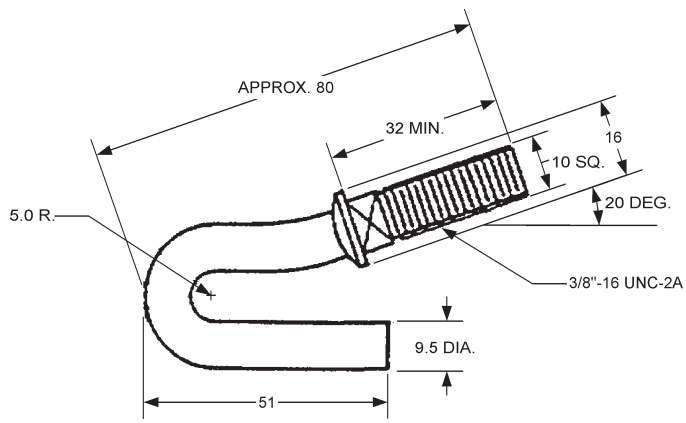
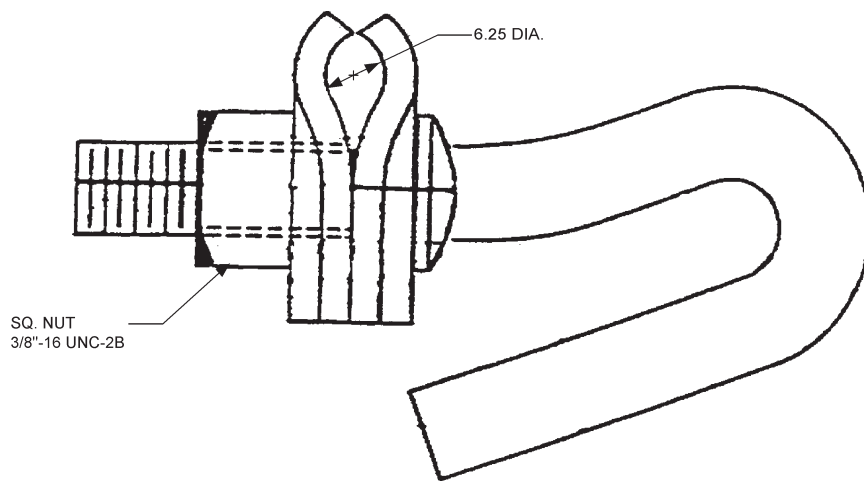
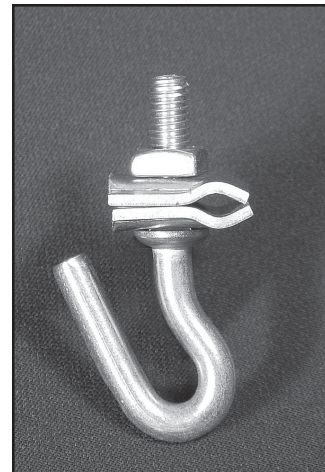


SPAN CLAMP

TYPE 316 STAINLESS STEEL



STUD DETAIL

