

STAINLESS STEEL LASHING WIRE

These stainless steel wires are intended for lashing aerial cable to suspended strand with standard commercial lashers such as Class C & Class D.

ADSCO PART#	WIRE TYPE	WIRE DIAMETER	NOMINAL COIL SIZE		AVERAGE BREAK STRENGTH	MINIMUM ELONGATION	#COILS /BOX	APPROX. SHIP.WT. /BOX
			LBS.	FEET				
045SA430L	430S.S.	.045"	6.62	1,200'	125 Lbs.	20% in 10"	6	40 Lbs.
061SA430L-1	430S.S.	.061"	4.4	450'	225 Lbs.	20% in 10"	6	27 Lbs.
061SA430L-2	430S.S.	.061"	6.3	650'	225 Lbs.	20% in 10"	6	38 Lbs.
065SA430L-1	430S.S.	.065"	5.1	450'	250 Lbs.	20% in 10"	6	31 Lbs.
065SA430L-2	430S.S.	.065"	7.3	650'	250 Lbs.	20% in 10"	6	44 Lbs.
038SA302L	302S.S.	.038"	6.29	1,600'	115 Lbs.	20% in 10"	6	37 Lbs.
045SA302L	302S.S.	.045"	6.62	1,200'	165 Lbs.	20% in 10"	6	40 Lbs.
061SA302L-1	302S.S.	.061"	4.4	450'	290 Lbs.	20% in 10"	6	27 Lbs.
061SA302L-2	302S.S.	.061"	6.3	650'	290 Lbs.	20% in 10"	6	38 Lbs.
065SA302L-1	302S.S.	.065"	5.1	450'	335 Lbs.	20% in 10"	6	31 Lbs.
065SA302L-2	302S.S.	.065"	7.3	650'	335 Lbs.	20% in 10"	6	44 Lbs.
038SA316L	316S.S.	.038"	6.29	1,600'	115 Lbs.	20% in 10"	6	37 Lbs.
045SA316L	316S.S.	.045"	6.62	1,200'	165 Lbs.	20% in 10"	6	40 Lbs.
061SA316L-1	316S.S.	.061"	4.4	450'	290 Lbs.	20% in 10"	6	27 Lbs.
061SA316L-2	316S.S.	.061"	6.3	650'	290 Lbs.	20% in 10"	6	38 Lbs.
065SA316L-1	316S.S.	.065"	5.1	450'	335 Lbs.	20% in 10"	6	31 Lbs.
065SA316L-2	316S.S.	.065"	7.3	650'	335 Lbs.	20% in 10"	6	44 Lbs.

* Nominal footage of coils may vary by 30 ft.

DISPOSABLE METAL SPOOLS - For use with Model "K" Lasher.

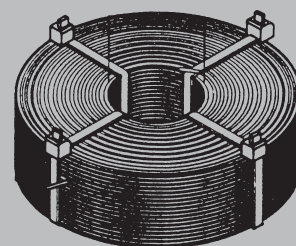
Available in .045" Diameter and .061" Diameter on 750' and 1400' aluminum spools.

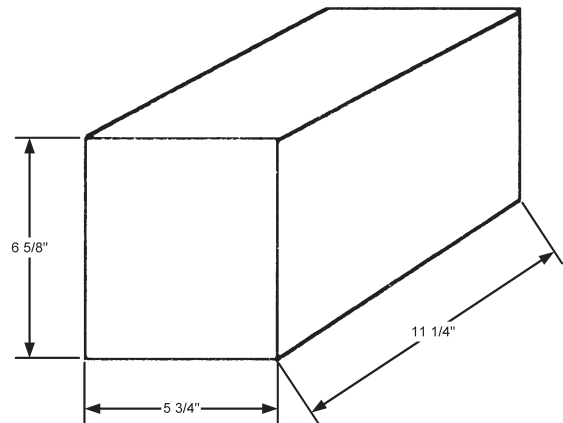
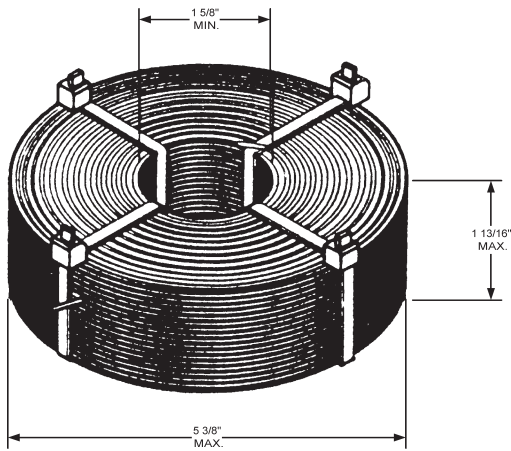
Alloys in Type 430, 302 and 316 Stainless Steel.

PACKAGING

The coils (6 per box) are furnished with straight hubs and bound with diametrically opposed safe, weather resistant, and easily removed plastic ties.

Box dimensions (with 6 coils each): 6 5/8" High, 5 3/4" Wide, 11-1/4" Long. Full Pallet holds 84 boxes (504 coils).





6 Coils Per Box

84 Boxes/Pallet

504 Coils/Pallet

SPECIFICATIONS

.045" Type 430 is in accordance with Bell Telephone Laboratories Specifications AT-7153.
All types are wax coated per AT-7153.

CHEMISTRY Wires conform to appropriate AISI Type 430, 302, or 316 Chemistry.

	MAXIMUM					RANGE			
	C	MN	P	S	SI	CR	NI	HO	
Type 430 (UNS-S43000)	0.12	1.00	0.040	0.030	1.00	16.00/18.00			
Type 302 (UNS-S30200)	0.08	2.00	0.045	0.030	1.00	18.00/20.00		8.00/10.50	
Type 316 (UNS-S31600)	0.08	2.00	0.045	0.030	1.00	16.00/18.00		10.00/14.00 2.00/3.00	

FREIGHT F.O.B. Shipping Point. Freight collect unless prepay & invoice is requested. Please call for quantities on prepaid shipments.

TERMS Net invoice amount due in full within 30 days from invoice date. 1.5% per month will be added to balances over 30 days old.

PRICES Prices, terms and conditions subject to change without notice. All orders will be invoiced at our prices in effect at time of shipment.

WARRANTY Lashing wire is guaranteed against manufacturing defects. Defective products will be replaced or adjustments made provided we are notified promptly. We cannot be responsible for labor charges, and our liability shall not exceed replacement cost to us.