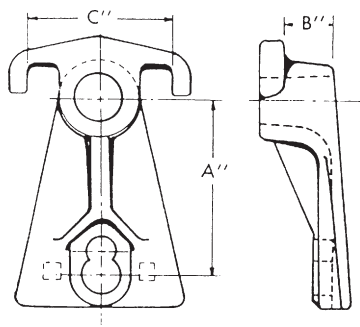
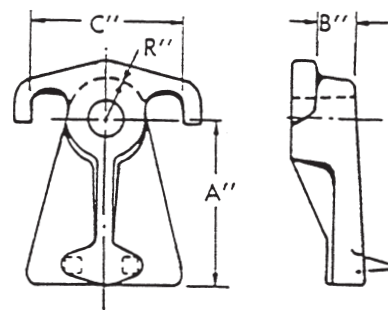


Guy Hook

MATERIAL SPECIFICATIONS: TYPE 316 Stainless Steel



GH2-316SS



GH1-316SS

CATALOG NUMBER	MAXIMUM WIRE	MOUNTING BOLTS	DIMENSIONS-INCHES				MINIMUM ULTIMATE LBS.
			A	B	C	R	
GH1-316SS	9/16"	5/8" - 3/4"	3"	5/8"	2-7/8"	3/4"	20,000
GH2-316SS	3/4"	TOP- 1" - 7/8" BOTTOM- 3/4" - 5/8" AND/OR 1/2" L.S.	4"	1"	3-7/16"	7/8"	25,000

- TWO SPURS TO RESIST POLE SPLITTING
- MORE SURFACE IN CONTACT WITH POLE THAN OTHER COMPARABLE GUY ATTACHMENTS – GREATER PROTECTION TO WOOD FIBERS
- FOR ROUND OR FLAT SURFACES
- WILL INTERCEPT WIRE AT ANY ANGLE