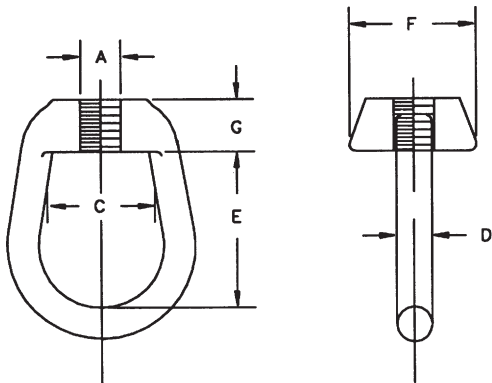


Eye Nut - Weldless

TYPE 304/316 Stainless Steel



WELDLESS EYE NUT
 -RIGHT HAND THREAD__FIG. 36
 -LEFT HAND THREAD___FIG. 36L

MATERIAL:
 FORGED STEEL OR STAINLESS STEEL
 ORDERING:
 SPECIFY NAME,
 FIGURE NUMBER,
 ROD SIZE, MATERIAL AND FINISH.

FIG.36 & FIG36L

| LOADS-DIMENSIONS-WEIGHTS | | | | | | | | | | |
|--------------------------|------------|----------|----------------|--------------|-----------------|-------|-------|---------|-------|----------------|
| CATALOG NO. | ROD SIZE A | SIZE NO. | MAX RATED LOAD | ROD TAKE-OUT | MAX. PIN DIA. C | D | E | F | G | WEIGHT PER 100 |
| OEN38SS | 3/8 | 1 | 610 | 1-1/2 | 1-3/16 | 1/2 | 2 | 1-3/8 | 11/16 | 63 |
| OEN12SS | 1/2 | 1 | 1130 | 1-1/2 | 1-3/16 | 1/2 | 2 | 1-3/8 | 11/16 | 63 |
| OEN58SS | 5/8 | 1 | 1810 | 1-1/2 | 1-3/16 | 1/2 | 2 | 1-3/8 | 11/16 | 62 |
| OEN34SS | 3/4 | 1 | 2710 | 1-1/2 | 1-3/16 | 1/2 | 2 | 1-3/8 | 11/16 | 60 |
| OEN78SS | 7/8 | 2 | 3770 | 2 | 1-11/16 | 3/4 | 2-5/8 | 1-15/16 | 1 | 170 |
| OEN1SS | 1 | 2 | 4960 | 2 | 1-11/16 | 3/4 | 2-5/8 | 1-15/16 | 1 | 170 |
| OEN114SS | 1-1/4 | 3 | 8000 | 2-1/2 | 1-13/16 | 1 | 3-3/8 | 3 | 1-1/4 | 364 |
| OEN112SS | 1-1/2 | 3 | 11630 | 2-1/2 | 1-13/16 | 1 | 3-3/8 | 3 | 1-1/4 | 345 |
| OEN134SS | 1-3/4 | 4 | 15700 | 4 | 4 | 1-1/2 | 6-1/4 | 4 | 2-1/4 | 1638 |
| OEN2SS | 2 | 4 | 20700 | 4 | 4 | 1-1/2 | 6-1/4 | 4 | 2-1/4 | 1588 |
| OEN214SS | 2-1/4 | 4 | 27200 | 4 | 4 | 1-1/2 | 6-1/4 | 4 | 2-1/4 | 1538 |
| OEN212SS | 2-1/2 | 4 | 33500 | 4 | 4 | 1-1/2 | 6-1/4 | 4 | 2-1/4 | 1488 |

When Ordering Please Specify Alloy Type 304SS, T316SS
 Example: OEN12316SS