

BONDING CLAMP

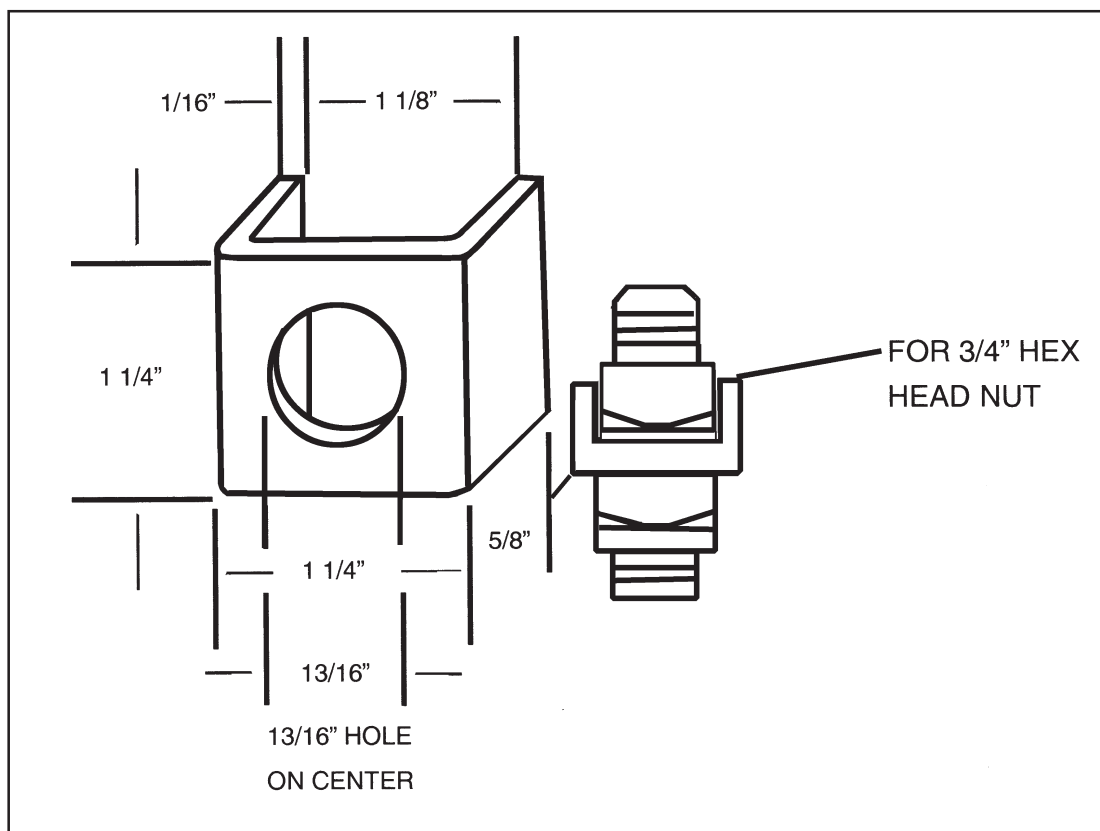
TYPE 316 Stainless Steel

CATALOG NO. BC-3/4HN-SS316

BONDING CLAMP FOR 3/4" HEX NUT

TYPE 316 STAINLESS STEEL WITH 3/16" HOLE ON CENTER

MADE FROM 1/16" THICK MATERIAL, TYPE 316 STAINLESS STEEL



1/16" THICK MATERIAL
TYPE 302/316 STAINLESS STEEL